

Sewing Machine Maintenance

stmaryshelp@seolibraries.org

Saint Marys Community Public Library

One of my UFOs



Quilt Camp

<https://www.quiltcampcedarlakes.com/>

**Round
bobbin, not a
singer 15**



Note the
rope light...





My second new machine, ever.
(1983?)

One for Christmas when I was 9.

—
Bought for
camp



Necchi - My mom's



White Featherweight, yep I own one....



Singer 301, yes I think I have 3...





301A

Cabinets I love...

Singer 42

Art Deco Style, curved door.

(I own 3 right now)





Many More...

I think I have about 17 machines right now.....

I would buy another 301, if I found one that was only like 10 bucks ;)

Davis Vertical feed (treadle)- first walking foot

Nathional Two Spool - spool for the bobbin area.



Why Vintage?

So far there has only been 2 or 3 machines I couldn't fix:

One was a potted metal part that snapped.

I couldn't figure out a Touch and Sew - plastic parts.

One was rusted, something had spilled into the motor.

Sometimes newer ones are crankier



My sister and I.....

Night and day

I can sit at one of her machines and make it work perfectly for me.

She walks over it and builds a birds nest for her.

I can get so irritated with her other machine, and it sews fine for her.

Some days I just walk away from sewing.

Can we expect these to last as long?



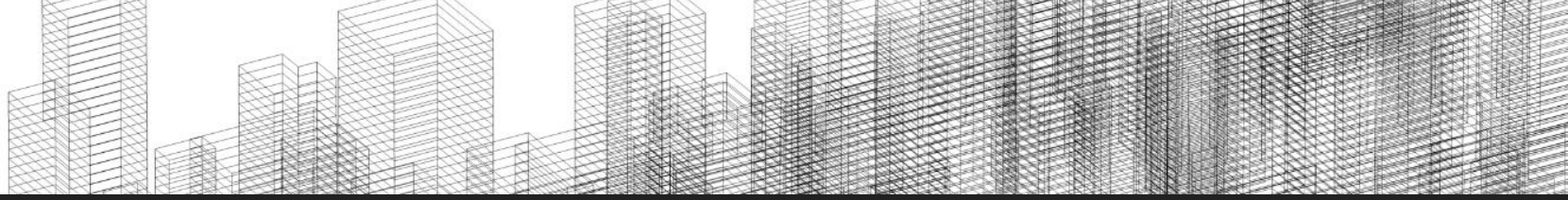
Identify your machine

Name of company

Model name?

Model number?

Most machines are made in



Identify Bobbins

Two kinds, 15 and 66 - if you are buying box store type machines.

Identify Your Bobbins



Bobbins from Joann's



Before you sew

Clean and lubricate

Cleaning Supplies



Brushes

All kinds

Stencil brushes are stiff- very helpful

Big makeup brushes for dust



Tools

Dental picks

Tweezers





Screwdrivers

Alcohol -

Rubbing or stronger denatured.

(don't get on wood or gold decals)



Sew Purty

<https://www.sewpurtyworkshops.com/products-we-use>

They started a company to teach people how to use their vintage machines.

oil



Sewing Machine oil is mineral oil.

Do not buy 3 in One Oil - hardens, turns gummy.





Grease your metal gears.

(vaseline in a pinch)

Do you grease plastic gears?

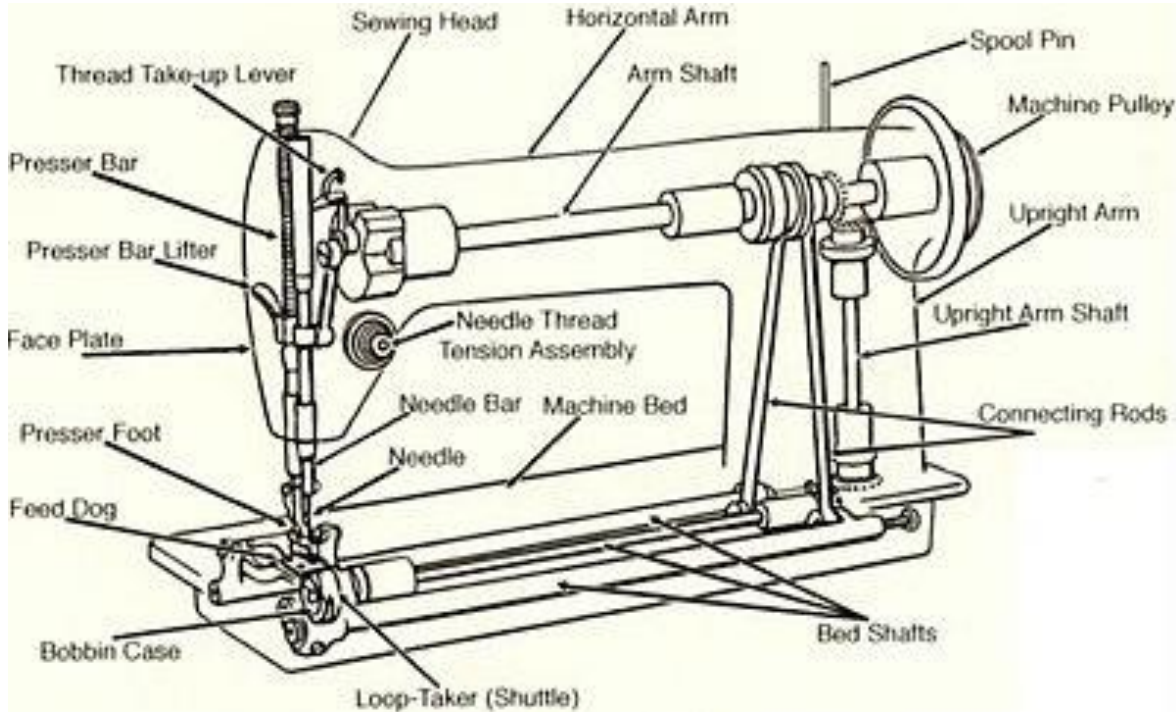
I don't know. Collectors have differing opinions.

I have used white lithium grease for years, but now I am unsure. I do use vaseline.

**The only truly safe cleaner on a Vintage
Machine is Sewing Machine Oil.**

If you are unsure, wipe with sewing machine oil.

Parts of a machine




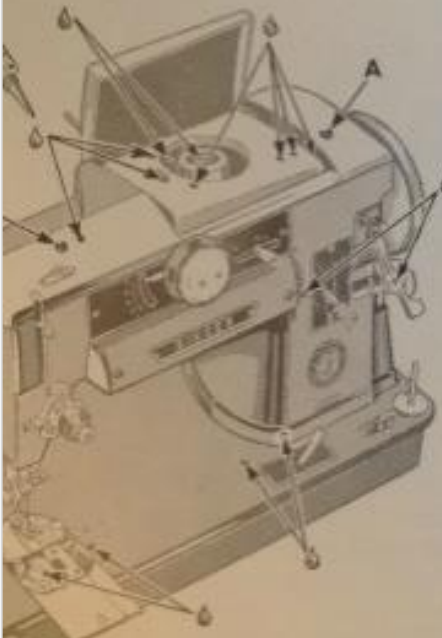
HEAD (Front View)

Check your manual

TO LUBRICATE THE MACHINE

Check Manual for oil
lubricating points

ER Oil and SINGER Lubricant!
e extra quality products especially pre-
sewing machines, and should always
n the care of your 401.

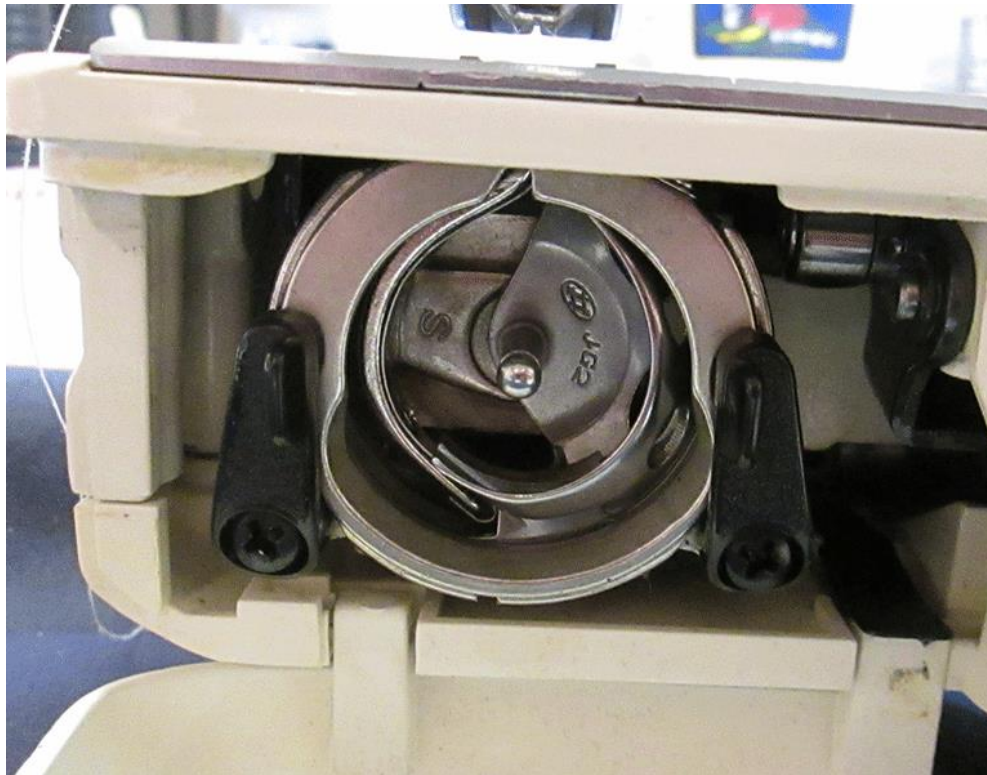


Clean the machine periodically :
on **page 86**.
Apply a drop of oil to each pla
Remove screws **A** and lift off are
Apply a small amount of lubricant
as shown.
A tube of this lubricant can be
your Singer Sewing Center.
NEVER APPLY OIL TO THESE GE

Clean bobbin area

<http://shesasewingmachinemechanic.blogspot.com/p/how-to-clean-and-oil-bobbin-and-feed-dog.html>

Bobbin race



Finding a manual for your machine

Try the manufacturer's site:

- ★ <http://www.singerco.com/>
- ★ <https://www.brother-usa.com/Homesewing/DesignStudio/Projects/Fotm.aspx>
- ★ <http://janome.com/en/support/manuals/>
- ★ <http://www.babylock.com/downloads/manuals/>

Old manuals

- ★ <http://ismacs.net/free-sewing-machine-manuals-list.html>

Don't pay for a manual, usually you can find it online.

Other places to find support for your machine

★ Facebook groups

- Great for fast photos
- Fast info
- Not so good for searching or organization of files

★ Forums

- <https://www.quiltingboard.com/>
- <http://needlebar.org/main/>

Needles

<http://www.joann.com/on/demandware.static/Sites-JoAnn-Site/Sites-joann-project-catalog/-/images/hi-res/project/pdf/PA00223.pdf>

Sharps - woven fabric

Ball Points - knit fabric

Universal - can do both

Always use a ball point when sewing knits. If you are quilting, use a sharp.

Cleaning

Remove bobbin

Brush lint out

Check for threads

Trapped in odd places

Dental floss on bobbin case?

Oil bobbin area liberally

If too much wipe off with a cloth

You can tell the noise when it needs to be oiled.

Cleaning

Unscrew needle plate and remove

Brush lint out

Oil moving parts where metal meets metal

Open door for needle bar on left

Check for varnish color

Alcohol

Oil needle bar

Oil take up lever

Cleaning

Remove needle

Wipe off with oil

Remove top of sewing machine - should be two screws

Locate gears

Are they lubed?

Is there dry lube on them?

Add gear grease - not oil

Look underneath

Put everything back together